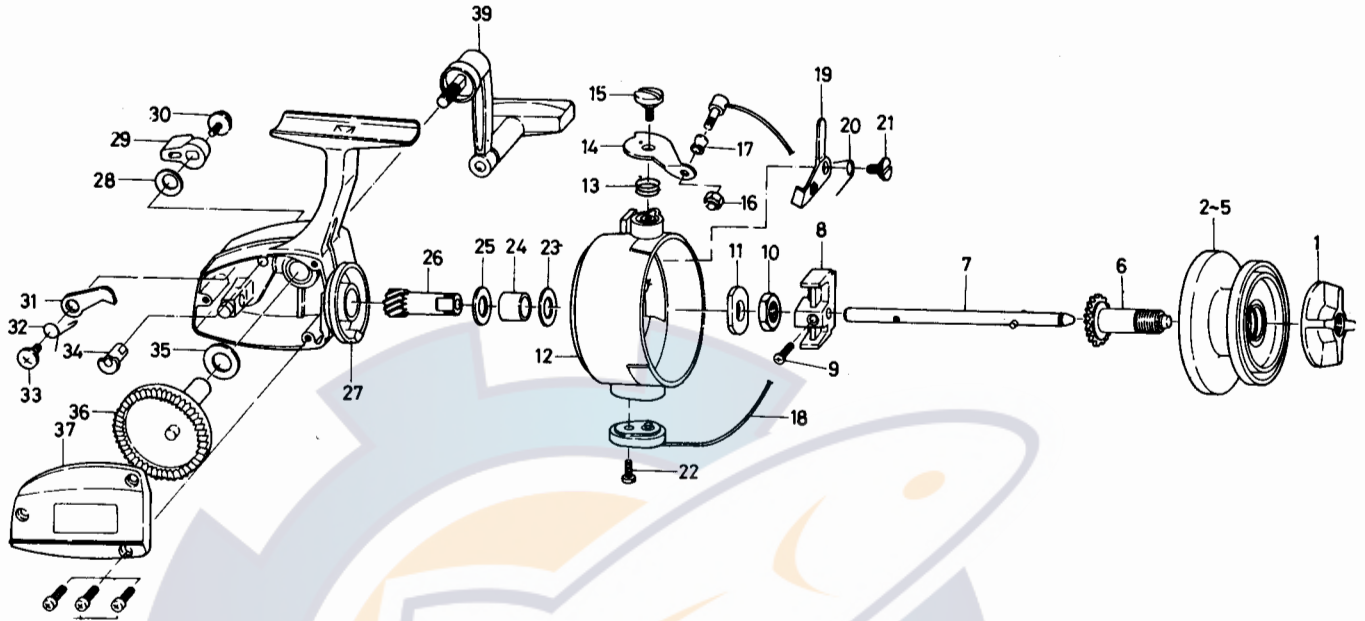




# SPINNING REEL 7200H



LINE CAPACITY: 200 YDS., 6 LB. TEST (210m Dia. 0.23mm)

Key No.	Parts No.	Parts Name	Key No.	Parts No.	Parts Name
1	64409801	Drag knob	22	63516601	Bail holder screw
2-5	67300511	Spool	23	63712820	Pinion adjusting washer
6	67200111	Spool metal	24	65007601	Pinion collar
7	67101311	Main shaft	25	63709926	Pinion washer
8	64807201	Oscillating slider	26	64015401	Pinion
9	63510313	Oscillating slider screw	27	61918201	Body
10	63412803	Rotor nut	28	61501751	Anti-reverse lever washer
11	63736001	Rotor ret. washer	29	65407801	Anti-reverse lever
12	62011311	Rotor	30	63514701	Anti-reverse lever screw
13	61410651	Bail spring	31	61108901	Anti-reverse claw
14	62307311	Arm lever	32	61422021	Anti-reverse claw spring
15	63618521	Arm lever screw	33	63501931	Anti-reverse claw screw
16	63412701	Bail nut	34	64608001	Anti-reverse cam
17	62501301	Line roller	35	63709920	Drive gear washer
18	60052011	Bail	36	64122101	Drive gear
19	65707101	Bail kick lever	37	67050901	Body cover
20	61434801	Bail kick lever spring	38	63511101	Body cover screw
21	63618202	Bail kick lever screw	39	67451411	Handle

Sold As One Unit

**Darwa**

Page 28
Date 12-75
Rev. No. 00